

AirPlus



DI-614+

Wireless Internet Gateway router for broadband connection.

802.11b Wireless Cable/DSL Router With 4-Port Switch

The DI-614+ AirPlus™ is a 2.4GHz 802.11b Wireless broadband Internet Gateway Router with a built-in 4-port Fast Ethernet Switch. It incorporates a wireless LAN with enhanced speeds of up to 22Mbps. Designed for the small office and home, this router lets you quickly and easily share DSL or cable modem Internet connection, with or without the network wires. With advanced functions traditionally found in business-class routers also built inside, the DI-614+ gives the business and home a cost-effective way to install a secure and fast network with bottleneck-free link to the outside world.

Simplified, Cost-saving Broadband Internet

With the DI-614+, you can share your broadband line and cable/DSL modem anywhere in your office or home. To let everybody logon, this device automatically creates and assigns an IP number for each user, simplifying every one's logon operation.

Ready Connection

With built-in wireless LAN and 10/100Mbps switch, the DI-614+ provides ready connection for workstations and servers, with or without the network wires. The built-in functions also save you the cost and trouble of installing a separate Access Point and Ethernet switch.

Enhanced Wireless Speeds

The built-in Access Point enables the DI-614+ to be used in larger wireless networks in conjunction with other standards-based wireless LAN Access Points. At 22Mbps, the DI-614+ provides 802.11b wireless LAN users a high data transfer rate within the industry standard. This speed is double the 11Mbps normally found in other 802.11b 2.4GHz wireless devices.

Network Security

The DI-614+ provides NAT protection for your office and home users from Internet intruders and hacker attacks, plus VPN pass-through for extra security. It blocks and re-directs certain ports to limit the services that outside users can access your network. Virtual Server Mapping is used to re-task services to multiple servers. The DI-614+ can be set to allow separate FTP, Web, and Multiplayer game servers to share the same Internet-visible IP

address while still protecting your servers and workstations from hackers. Protection for wireless users is provided through a 256-bit strong WEP data encryption scheme.

DMZ Host to Open Public Domain

You can configure any of the built-in LAN ports to function as a DMZ port. A DMZ setting can be applied to a single client (such as a Web server) behind the router to fully expose it to the Internet and ensure complete Internet application compatibility even if the specific port is not known. This allows you to set up web sites and e-commerce business from your office while maintaining protection for the rest of your office LAN.

UPnP Enabled for Compatibility

The DI-614+ is designed for easy and robust connectivity among heterogeneous standards-based network devices. Computers can communicate directly with the DI-614+ for automatic opening and closing of UDP/TCP ports to take full advantage of security provided without sacrificing functionality of on-line applications.

Network Timing Protocol (NTP) Support

The DI-614+ supports the Network Timing Protocol (NTP), allowing you to install a time server behind the router to synchronize time for your network environment. This protects you from the risks inherent in obtaining Internet, minimizes security risks from the outside, and maximizes timing accuracy on your network.

Features

- Wireless or wired Internet access through a broadband modem
- Cable/DSL modem Internet sharing
- Built-in 4-port Fast Ethernet switch
- Integrated 22Mbps enhanced-speed IEEE 802.11b wireless LAN
- NAT routing security
- Virtual Private Network (VPN) pass-through support
- 256-bit WEP data encryption for wireless users
- DMZ and Virtual Server Mapping support
- Network Timing Protocol support
- Web-based and Telnet configuration
- Sturdy, compact, wall-mountable case
- Virtual Cable Tester (VCT) function for LAN ports

Router

CPU
ARM-9

WAN Interface

- 1 RJ-45 10BASE-T/100BASE-TX port
- Supports PPPoE for DSL and cable modem connection

LAN Interfaces

- 802.11b wireless LAN (22Mbps)
- 4 RJ-45 10BASE-T/100BASE-TX ports

Routed Packet Type

IP packets

Routing Protocols & Methods

- RIP-1, RIP-2
- Static Routing
- Dynamic Routing

VPN Support

IPSec pass-through

Internet Gateway Functions

- Network Address Translation (NAT)
- DHCP server (for automatic IP assignment)

Number of DMZ Ports

1 port (user-assignable to any LAN port)

Number of Virtual Server Mappings

10 entries

RFC Support

- > RFC 0768 - User Datagram Protocol
- > RFC 0791 - Internet Protocol
- > RFC 0792 - Internet Control Message Protocol
- > RFC 0793 - Transmission Control Protocol
- > RFC 0821 - Simple Mail Transfer Protocol
- > RFC 0826 - Ethernet Address Resolution Protocol
- > RFC 1058 - Routing Information Protocol
- > RFC 1112 - IGMP v1 (for UPnP and IAPP functions)
- > RFC 1157 - Simple Network Management Protocol
- > RFC 1213 - Management Information Base-II (MIB II)
- > RFC 1332 - PPP Internet Control Protocol
- > RFC 1350 - TFTP Protocol (Reversion 2)
- > RFC 1514 - Dynamic Host Configuration Protocol
- > RFC 1631 - IP Network Address Translator
- > RFC 1661 - Point-to-Point Protocol (PPP)
- > RFC 1723 - RIP-2 - Carrying Additional Information
- > RFC 1945 - Hypertext Transfer Protocol HTTP/1.1 (subset)
- > RFC 1994 - PPP Challenge Handshake Authentication Protocol (CHAP)
- > RFC 2132 - DHCP Options and BOOTP vander Extensions
- > RFC 2516 - PPP Over Ethernet (PPPoE)

IP Number Self-identification

Through DHCP client

Configuration & Management

- Web-based configuration
- Telnet configuration
- Network Timing Protocol (NTP) support
- UPnP support
- Factory reset (through reset button)

Firmware Upgrade

Through TFTP

Memory

- SDRAM: 2MB
- Flash: 512KB

Built-in Wireless LAN

Standard
802.11b+

Reception Sensitivity Nominal Temp Range

- 22Mbps: 10-5 BER @ -80 dBm minimum
- 11Mbps: 10-5 BER @ -79 dBm minimum
- 5.5Mbps: 10-5 BER @ -83 dBm minimum
- 1Mbps: 10-5 BER @ -89 dBm minimum

Frequency Range

- 2.4 - 2.4835 GHz

Modulation Techniques

- Direct Sequence Spread Spectrum (DSSS)
- Packet Binary Convolutional Coding (PBCC)

Data Rates

- 22 Mbps
- 11 Mbps
- 5.5 Mbps
- 2 Mbps
- 1 Mbps
- Auto fall-back

Data Rate & Modulation

- 22Mbps/8.5db: PBCC
- 11Mbps/4.5db: PBCC
- 11Mbps/8.5db: CCK
- 5.5Mbps/1.5db: PBCC
- 5.5Mbps/5.5db: CCK
- 2Mbps/3db: Barker

Operating Channels

- North America (FCC): 11
- Canada (DOC): 11
- Europe (ETSI): 13
- Japan (MKK): 14

Antennas

- 1 detachable 2dBi Gain antenna (reverse SMA connector)
- 1 internal 2dBi Gain antenna

Operating Range

- Up to 100 m (328 feet) indoors
- Up to 400 m (1,312 feet) outdoors

Operating Modes

- Access Point*
- Access Point to Access Point bridging*

* Environmental factors may adversely affect operating range

Roaming

Among Access Points on the same subnet

Security

- Data encryption: 64-bit, 128-bit, 256-bit WEP (Wired Equivalent Privacy)
- User-definable node access control list

Built-in Fast Ethernet Switch

Standards

- IEEE 802.3 10BASE-T Ethernet
- IEEE 802.3u 100BASE-TX Fast Ethernet
- ANSI/IEEE 802.3 NWay auto-negotiation

Supported Functions

- Full/half duplex (per port)
- MDI-II/MDI-X auto uplink (per port)
- Auto correction of twisted-pair Rx reverse polarity (per port)

Flow Control

- IEEE 802.3x Flow Control in full-duplex
- Back pressure in half-duplex

DI-614+

Technical Specifications

2.4GHz Wireless Broadband Router

Transmission Method

Store-and-forward

MAC Address Learning

Automatic update

Physical & Environmental

Diagnostic LEDs

- Power (status)
- M1 (system ready)
- M2 (system initial/backup/firmware download)
- WAN (Link/Activity)
- WLAN (status)
- 1, 2, 3, 4 LAN ports (Link/Activity)

Power Input

- DC 5V 2.5A
- Through external AC power adapter

Dimensions

192 x 119 x 31 mm

Weight

320 grams (2.0 lb.)

Storage Temperature

0° - 70°C

Operating Temperature

0° - 55°C

Humidity

95% maximum non-condensing

EMI Certification

- FCC Class B
- CE Class B

Safety Certification

- UL



ACN 052 202 838



Ordering Information

Wireless Broadband Internet Gateway Router

DI-614+ 1 RJ-45 10BASE-T/100BASE-TX port
(for DSL/cable modem connection)
802.11b+ wireless LAN
4 RJ-45 10BASE-T/100BASE-TX switch ports

Please specify one of the following after the model number:

DI-614+/ANA	Includes USA standard AC power adapter, North America frequency
DI-614+/BEU	Includes U.K. standard AC power adapter, EU frequency
DI-614+/EEU	Includes EU standard AC power adapter, EU frequency
DI-614+/CN	Includes China standard AC power adapter, EU frequency
DI-614+/NEU	Includes Australia standard AC power adapter, EU frequency
DI-614+/UNA	Includes no AC power adapter, North America frequency
DI-614+/UEU	Includes no AC power adapter, EU frequency

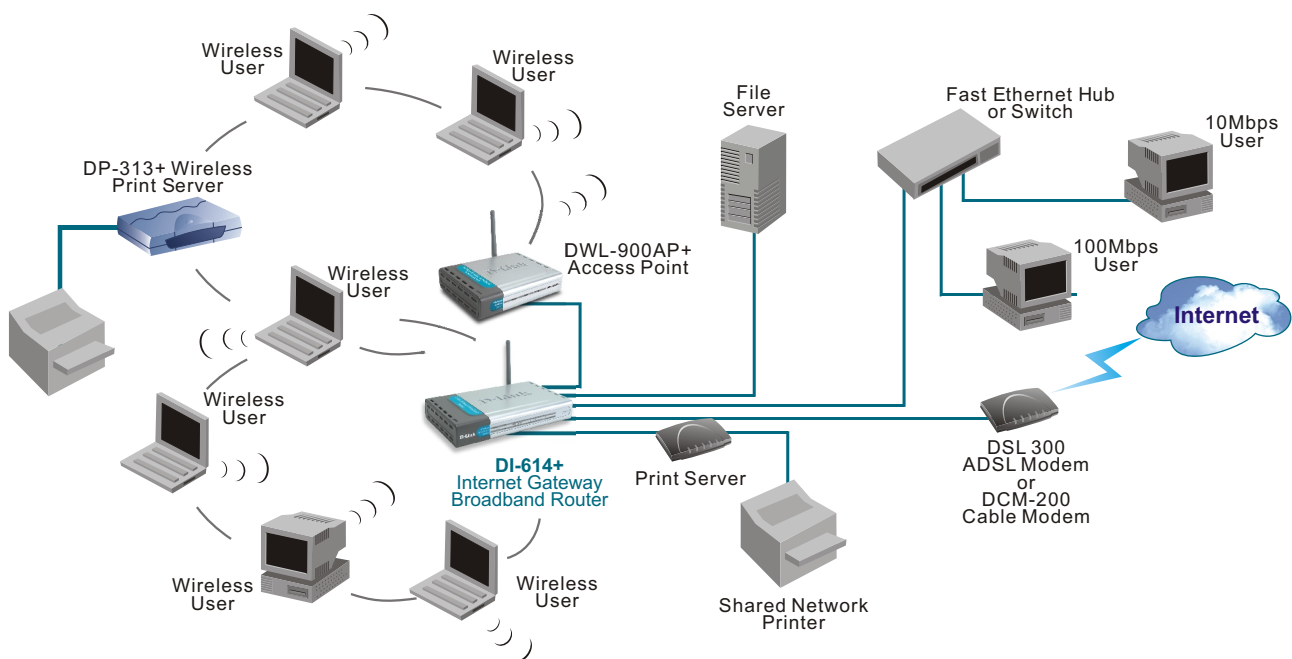
D-Link®

Specifications subject to change without prior notice.
D-Link is a registered trademark and Airplus is a trademark of D-Link Corporation/D-Link System Inc. All other trademarks belong to their proprietors.

U.S.A	TEL: 1-949-788-0805	FAX: 1-949-753-7033
Canada	TEL: 1-905-8295033	FAX: 1-905-8295095
Europe	TEL: 44-20-8731-5555	FAX: 44-20-8731-5511
Germany	TEL: 49-6196-77990	FAX: 49-6196-7799300
France	TEL: 33-1-30238688	FAX: 33-1-30238689
Benelux	TEL: 31-10-2045740	FAX: 31-10-2045880
Italy	TEL: 39-2-2900-0676	FAX: 39-2-2900-1723
Iberia	TEL: 34-93-4090770	FAX: 34-93-4910795
Sweden	TEL: 46-(0)8564-61900	FAX: 46-(0)8564-61901
Norway	TEL: 47-22-309075	FAX: 47-22-309085
Denmark	TEL: 45-43-969040	FAX: 45-43-424347
Finland	TEL: 358-9-2707-5080	FAX: 358-9-2707-5081
Singapore	TEL: 65-6774-6233	FAX: 65-6774-6322
Australia	TEL: 61-2-8899-1800	FAX: 61-2-8899-1868
Japan	TEL: 81-3-5434-9678	FAX: 81-3-5434-9868
China	TEL: 86-10-8518-2533	FAX: 86-10-8518-2250
India	TEL: 91-22-652-6696	FAX: 91-22-652-8914
Middle East	TEL: 9714-8834234	FAX: 9714-8834394
Turkey	TEL: 90-212-335-2553	FAX: 90-212-335-2500
Chile	TEL: 56-2-232-3185	FAX: 56-2-232-0923
Brasil	TEL: 55-11-3094-2910	FAX: 55-11-3094-2921
South Africa	TEL: 27(0)1266-52165	FAX: 27(0)1266-52186
Russia	TEL: 7-095-737-3389	FAX: 7-095-737-3390
Taiwan	TEL: 886-2-2910-2626	FAX: 886-2-2910-1515
D-Link Corp.	TEL: 886-2-2916-1600	FAX: 886-2-2914-6299



RECYCLABLE
Rev. 04 (Jun 2003)



Internet Gateway Functions

The DI-614+ Internet Gateways lets wireless users logon to the Internet, share a network printer, access file servers, and communicate with wired Ethernet users.